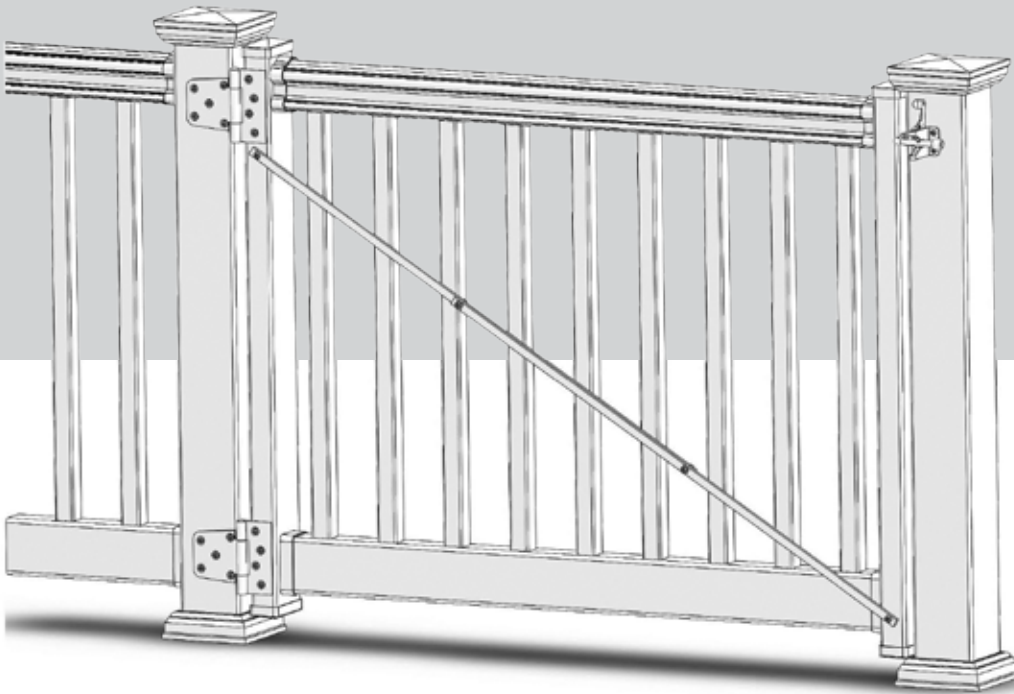


fiberon®

Homeselect[®]
Premium Composite Railing

GATE FRAME KIT INSTALLATION INSTRUCTIONS



Distributed by

fiberon[®]

www.fiberonhomeselect.com
800.318.7828



Gate Frame Kit Installation Instructions

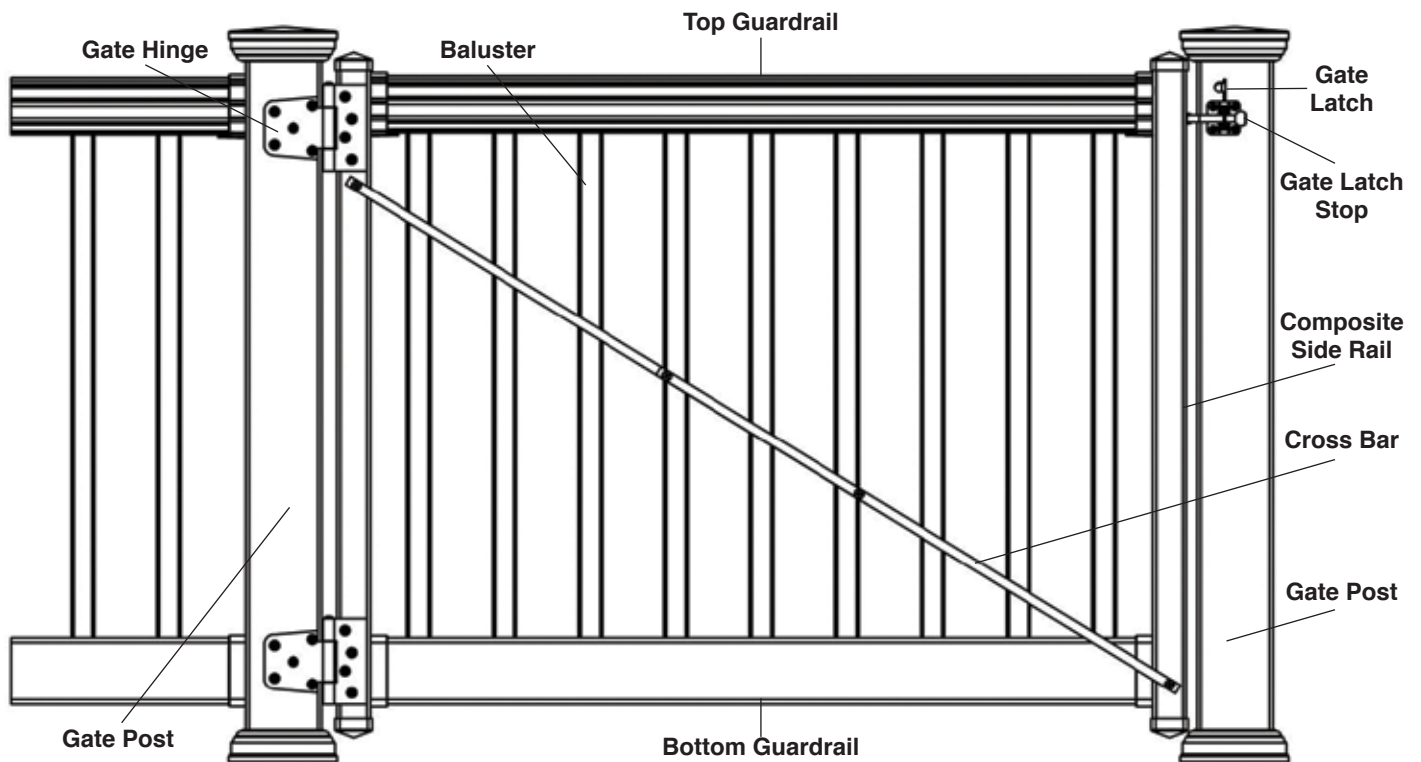
Parts Included:

- Composite Side Rails
 - Adjustable Cross-bar
 - Gate Hinges with screws
 - Gate Latch with screws
 - Gate Stop with screws
- Composite railing system and balusters sold separately.**

Required Tools and Supplies:

- Power Drill
- 1/4-in. & 1/8-in Drill Bits
- Phillips #2 Bit
- Square Head #2 Bit
- Protective Eye Wear
- Tape Measure
- Level
- Speed Square
- Chop/Miter Saw
- Pencil

IMPORTANT NOTE: Gate designed for 36-in rail height. Maximum gate width is 48-in.
The gate should always swing on to a floor, never over steps or ramp.



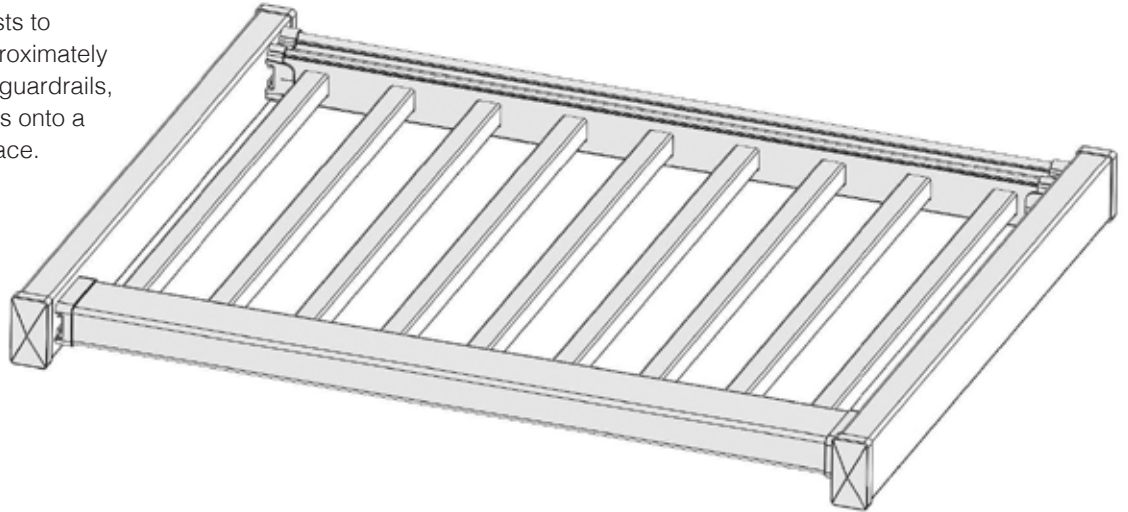
1

Measure the span between the two gate posts. The guardrails need to be cut 5-in. shorter than the open span. Make sure to center the baluster holes between the gate frame to have a balanced appearance. No baluster should be closer than 1 1/2-in. from the inside edge of the composite side rails. The top and bottom guardrails should be at the same height as the guardrails in the adjacent line sections. Use the mounting and assembly instructions from the line sections to secure the guardrails to the composite side rails and assemble the in-fill.

Gate Frame Kit Installation Instructions

2

Center gate between gate posts and verify distance from gate posts to composite side rails are approximately 3/4-in. Place the assembled guardrails, in-fill and composite side rails onto a clean and level working surface.



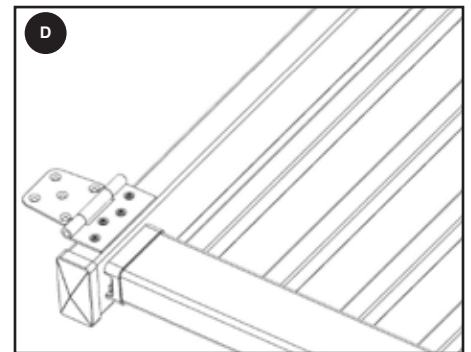
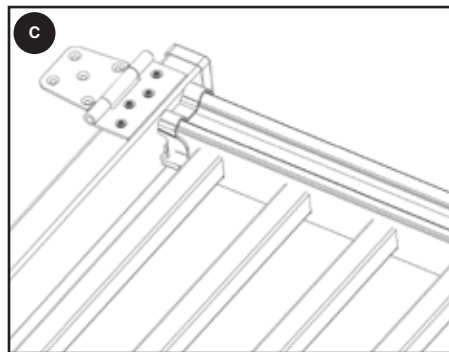
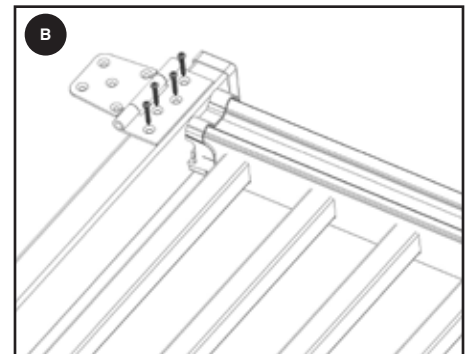
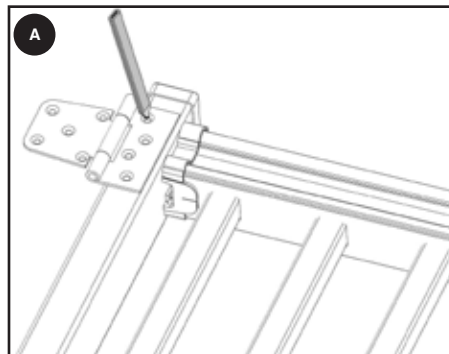
3

Position the top of the top gate hinge approximately 3/4-in. below the top of the top guardrail. Mark the locations of the holes onto the composite side rails.

Remove the bracket and pre-drill using a 1/8-in. bit. Secure the bracket using the 4 supplied #10 x 2-in. flat head screws.

Align the bottom of the lower hinge bracket approximately level with the bottom of the bottom guardrail. Repeat the process to install the lower gate hinge bracket.

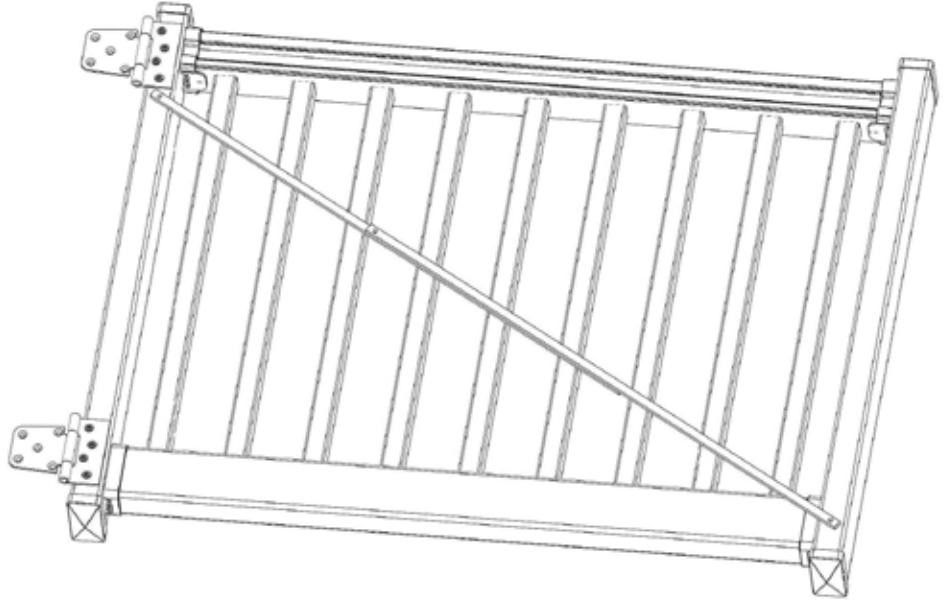
CAUTION: Do not over-tighten screws.



Gate Frame Kit Installation Instructions

4

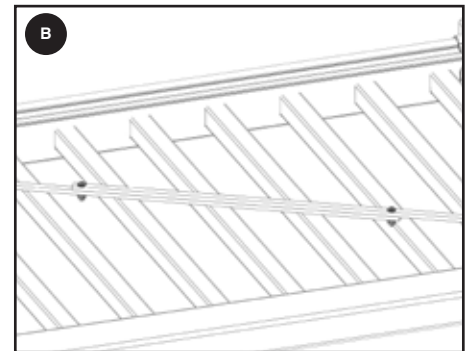
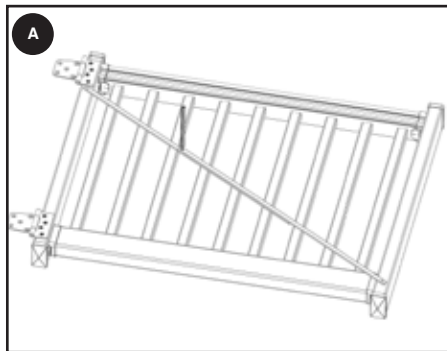
With the guardrails and in-fill secured and gate hinges installed to the composite side rails, lay the two-piece cross bar at an angle approximately 1-in. below the upper hinge bracket, and two inches above the bottom of the opposite side rail.



5

Mark the two hole locations where the cross bars overlap. Remove the cross bars and lay them on a stable and flat surface. Drill two 1/4-in. holes at the marked locations and join the two cross bars using the supplied 1/4-in. x 3/4-in. machine screws and nutcaps.

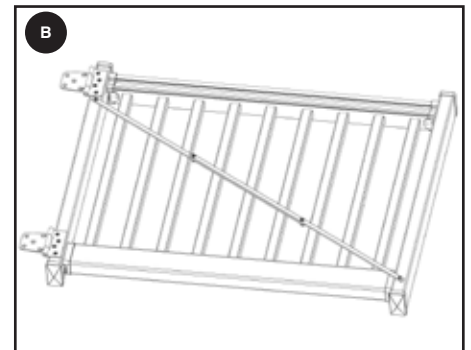
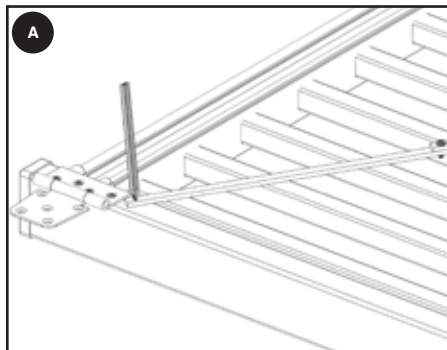
CAUTION: Do not over-tighten screws.



6

Replace the assembled cross bar over the gate frame, and locate the holes at each end. Pre-drill holes on the side rails using a 1/8-in. bit, and secure using the supplied #10 x 2-in. screws.

CAUTION: Do not over-tighten screws.



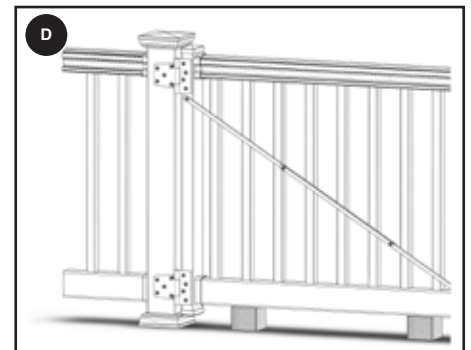
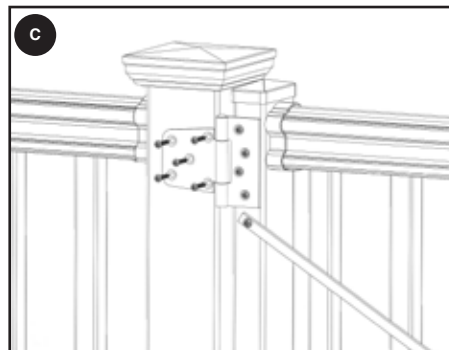
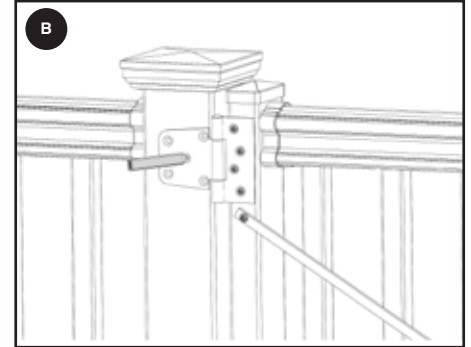
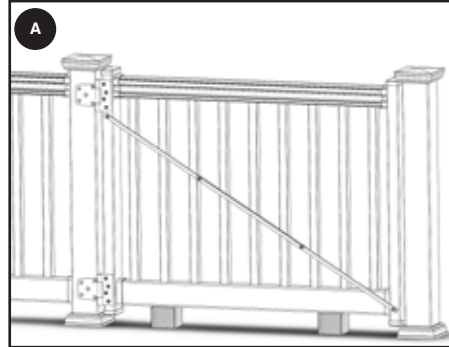
Gate Frame Kit Installation Instructions

7

Using scraps of wood (or similar), cut temporary crush blocks to support the gate frame between the two gate posts and level with the adjacent guardrails. Center gate between gate posts and verify distance from gate posts to composite side rails are approximately 3/4-in. Mark the locations of the gate hinge holes to be pre-drilled into the gate posts and level with the adjacent guardrails. Pre-drill the holes using a 1/8-in. bit. Secure the top gate hinge first, using the 5 supplied #10 x 2-in screws. Then secure the bottom gate hinge.

NOTE: When Fiberon post sleeve surface mount (metal post) is used to mount the gate post, use the supplied #10 x 1-in. screws to mount the gate hinges.

CAUTION: Do not over-tighten screws.

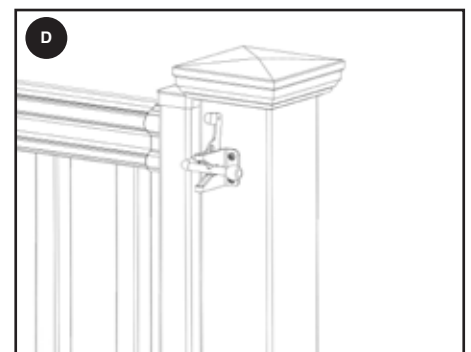
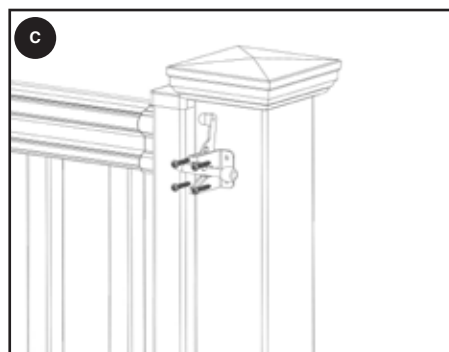
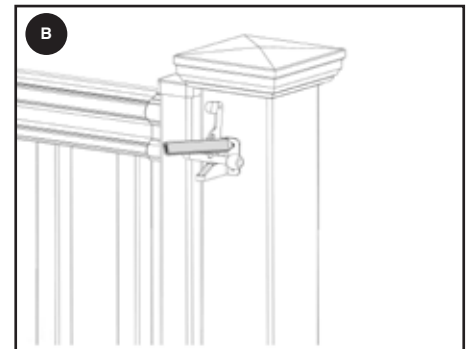
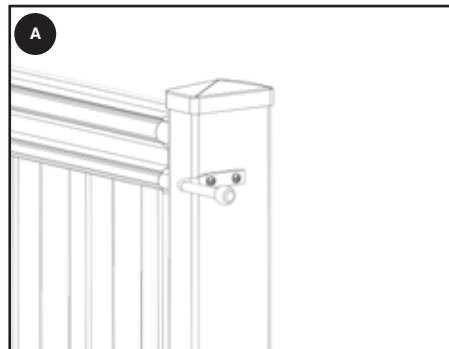


8

Attach the gate latch stop to side rail by pre-drilling with a 1/8-in. bit, and using the 2 supplied #10 x 1 1/4-in screws. Attach the gate latch by first dry fitting the proper locations on the gate post to make sure it lines up with the gate latch stop. Mark the location of the holes, and predrill using a 1/8-in. bit. Secure with 4 supplied #10 x 1 1/4-in screws. Remove the temporary crush blocks.

CAUTION: Do not over-tighten screws.

Completed assembly



The most recent installation instructions can be found on our website. Please visit www.fiberonhomeselect.com or call customer service at 800-318-7828.

Design Grid



www.fiberonhomeselect.com
800.318.7828